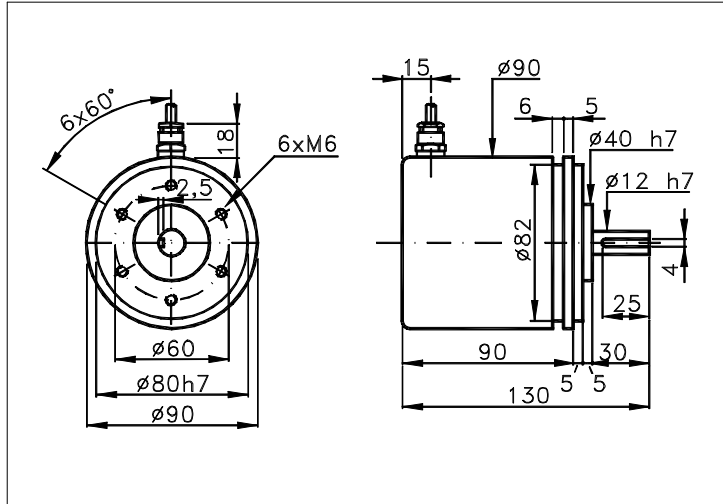


Sized draw standard version: CV R Measures without tolerance according to UNI ISO 2768-mk

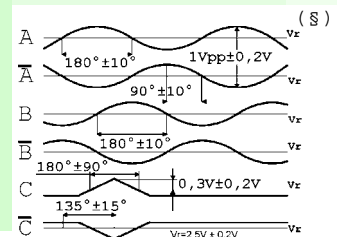
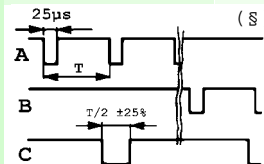
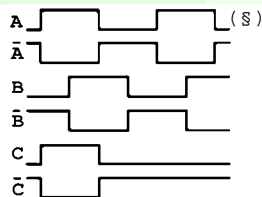
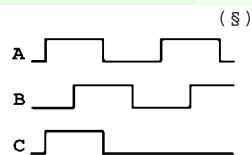


TECHNICAL FEATURES AND POSSIBLE CONFIGURATIONS

- Base.....: STAINLESS STEEL (\*)
  - Cover.....: STAINLESS STEEL (\*)
  - Weight.....: 2000 g
  - Shaft.....: Ø 12 STAINLESS STEEL (\*)
  - Max.rad/axial load.: 15 kg
  - IP output side.(°): see 'CONNECTION' of page 2
  - IP shaft side.(°)> std. 65 | sealed 66 | low torq. 53
  - opt. type (page 2)> standard | Z | B
  - Contin. max RPM(\*\*)> 6000 | 3000 | 8000
  - Starting torque gcm> 90 | 150 | 45
  - Ball bearings life...: 1,5 x 10<sup>9</sup> revolutions
  - Impact resistance....: 50 G x 11ms
  - Vibration resistance..: 12 G (10 ÷ 2000 Hz)
  - Power supply.....: 5÷30V (see page 2)
  - Operating temperature: -20÷+85 °C (\*)
  - Storage temperature...: -30 ÷ 85 °C
  - N° of pulses/rev.....: 1 ÷ 25000
  - Max frequency.....: 100 kHz (300 option)
  - Max consumptions mA...: std 120 line driver 180 (\*)
  - Light source.....: LED with >= 100000 h life
- (°) IP according to CEI EN 60529, EN 60529, IEC 529  
(\*) custom options  
(\*\*) intermittent max RPM + 30% of continuous max RPM

ELECTRONICS

CODE	DESCRIPTION	mA	CODE	DESCRIPTION	mA	CODE	DESCRIPTION	mA	CODE	DESCRIPTION	mA
	STANDARD NPN	10	N	DRIVER 26LS31	30	D	DISCRIMINAT.	70	Y	SINUSOID. 1Vpp	10
K	NPN OPEN COLL	10	T	TTL 7404	10						
Q	NPN	70	C	DRIVER 88C30	20						
R	NPN OPEN COLL	70	L	2x PUSH-P.PRO	70						
P	PNP	70	M	2x PUSH-PULL	70						
U	PNP OPEN COLL	70									
B	PUSH-PULL PRO	70									
H	PUSH-PULL	70									



Tolerance between phases ± 25°, symmetry ± 15°

(§) Clock-wise output rotation (see shaft).



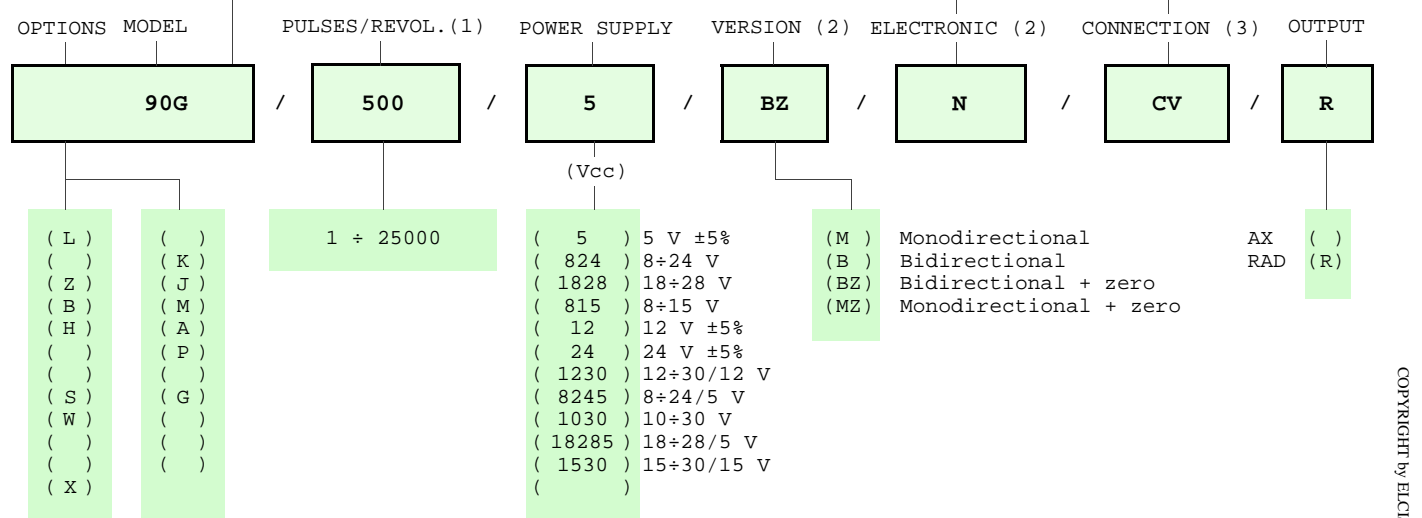
ELCIS s.r.l. Via Rosa Luxembourg 12/14 10093 COLLEGNO (TO) ITALY  
Phone: +39 011 715577/78 a.r.  
MAIL: ELCIS s.r.l. P.O.Box 43 10093 COLLEGNO (TO) ITALY

\* <http://www.elcis.com>  
\* e-mail: [info@elcis.com](mailto:info@elcis.com)  
\* Fax: +39 011 712613

POSSIBLE OPTIONS				POSSIBLE CONNECTIONS								
CODE	DESCRIPTION	CODE	DESCRIPTION	CABLE			OUTPUT:					
L	Low temperature	K	Invert. phase A,B,Zero.	CV			AX RAD					
Z	Sealed ball bearing	J	Zero logic combination	CONNECTOR			OUTPUT:					
B	Low torque ball bear.	M	Impregnated electronic		CH	CH5	AX RAD					
H	Different shaft Ø	A	High temperature		CH6							
		P	Compressed air attack	CABLE END CONNECTOR			OUTPUT:					
S	160 KHz frequency	G	Tropicalization	VM	TM	VL	TL	VD	VH	VH5	VI	AX
W	300 KHz frequency			VE	VK	TK	VN	VH6	VM5	VM9	VS	RAD
				VD5								
X	Custom options			TERMINAL BOX			OUTPUT:					

**ORDERING INFORMATION**


POSSIBLE SHAFT Ø	STANDARD NPN	CABLE	CONNECTOR	CABLE END CONNECTOR
( )	( K ) NPN OPEN COLL	IP65		IP65 encoder output
( )	( Q ) NPN	( CV ) 1 m long	( )	( VM ) 7c normal
( )	( R ) NPN OPEN COLL	( )	( )	( TM ) 7c sealed
( )	( P ) PNP	( )	( )	( VL ) 10c normal
( )	( U ) PNP OPEN COLL	( )	( )	( TL ) 10c sealed
( n ) Ø n upon requ.	( B ) PUSH-PULL PRO		( )	( VD ) 9c
( )	( H ) PUSH-PULL	TERMINAL BOX	( CH ) 12c ccw	( VH ) 12c anticlock.
( )	( N ) DRIVER 26LS31	IP00	( CH5 ) 12c cw	( VH5 ) 12c clock-wise
( )	( T ) TTL 7404		( )	( VI ) 12c crimped
( )	( C ) DRIVER 88C30		( )	( VE ) 5c
( )	( L ) 2x PUSH-P.PRO		( )	( VK ) 17c normal
( )	( M ) 2x PUSH-PULL		( )	( TK ) 17c sealed
( )	( D ) DISCRIMINAT.		( )	( VN ) 12c
( )	( Y ) SINUSOID.1Vpp		( CH6 ) 12c cw	( VH6 ) 12c clock-wise
( )	( X ) CUSTOM OPTION		( )	( VM5 ) 26c
( )				( VM9 ) 16c
( )				( VS ) 12c
( )				( VD5 ) 9c screened



NOTE: FOR 88C30 MAX 15 Vdc

Product manufactured according to UNI EN ISO 9001:2000, supplied with CHECKING and CONFORMITY declaration with CE mark and with TWO (2) YEARS WARRANTY starting from delivery date.

- (1) For further information see PULSES/REVOL. data sheet
- (2) For further information see ELECTRONIC data sheet
- (3) For further information see CONNECTION data sheet

	ELCIS s.r.l. Via Rosa Luxembourg 12/14 10093 COLLEGNO (TO) ITALY	* <a href="http://www.elcis.com">http://www.elcis.com</a>
	Phone: +39 011 715577/78 a.r.	* e-mail: <a href="mailto:info@elcis.com">info@elcis.com</a>
	MAIL: ELCIS s.r.l. P.O.Box 43 10093 COLLEGNO (TO) ITALY	* Fax: +39 011 712613

COPYRIGHT by ELCIS - Collegno (TO)