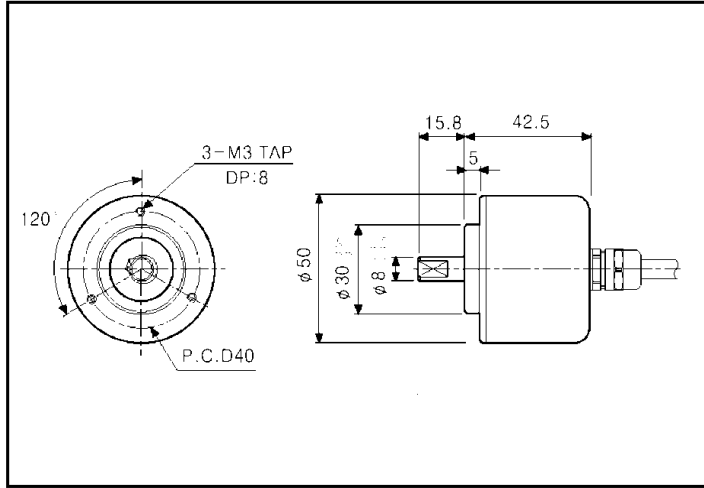


Sized draw standard version: CVK Measures without tolerance according to UNI ISO 2768-mk



TECHNICAL FEATURES AND POSSIBLE CONFIGURATIONS

- Base.....: ALUMINIUM
 - Cover.....: STEEL
 - Weight.....: 275 g
 - Shaft.....: Ø 8 STAINLESS STEEL
 - Max.rad/axial load.: 2,5 kg
 - IP output side.(°): see 'CONNECTION' of page 2
 - IP shaft side.(°):> std. 52 | sealed - | low torq. -
opt. type (page 2):> standard | - | -
 - Contin. max RPM(**):> 5000 | - | -
 - Starting torque gcm> 8
 - Ball bearings life....: 1,5 x 10⁹ revolutions
 - Impact resistance....: 50 G x 11ms
 - Vibration resistance.: 12 G (10 ÷ 2000 Hz)
 - Power supply.....: 5÷24V (see page 2)
 - Operating temperature: -10÷70 °C
 - Storage temperature...: -30 ÷ 85 °C
 - N° of pulses/rev.....: 10 ÷ 3600
 - Max frequency.....: 180 kHz
 - Max consumptions mA...: std 60 line driver 50
 - Light source.....: LED with >= 100000 h life
- (°) IP according to CEI EN 60529, EN 60529, IEC 529
- (**) intermittent max RPM + 30% of continuous max RPM

ELECTRONICS

CODE	DESCRIPTION	mA	CODE	DESCRIPTION	mA	CODE	DESCRIPTION	mA	CODE	DESCRIPTION	mA
	STANDARD NPN	10	N	LINE DRIVER	20						
R	NPN OPEN COLL	30									
H	PUSH-PULL	30									

(§)

(§)

(§)

Tolerance between phases ± 45°, symmetry ± 20°

(§) Clock-wise output rotation (see shaft).

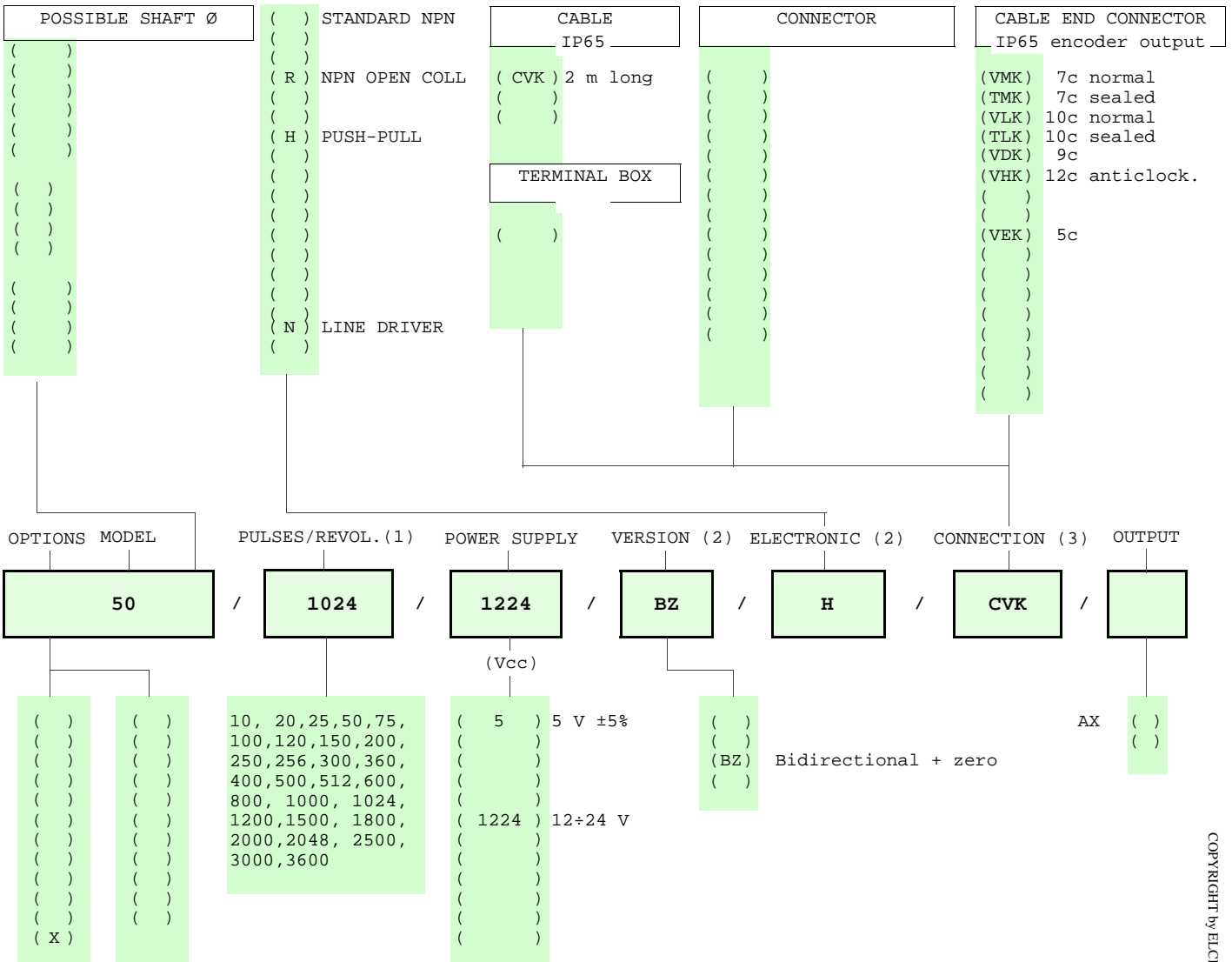


ELCIS s.r.l. Via Rosa Luxembourg 12/14 10093 COLLEGNO (TO) ITALY
Phone: +39 011 715577/78 a.r.
Mail: ELCIS s.r.l. P.O.Box 43 10093 COLLEGNO (TO) ITALY

* <http://www.elcis.com>
* e-mail: info@elcis.com
* Fax: +39 011 712613

POSSIBLE OPTIONS				POSSIBLE CONNECTIONS	
CODE	DESCRIPTION	CODE	DESCRIPTION		
X	Custom options			CABLE	OUTPUT: AX
				CONNECTOR	OUTPUT:
				CABLE END CONNECTOR	OUTPUT:
				VMK TMK VLK TLK VDK VHK VEK	AX
				TERMINAL BOX	OUTPUT:

ORDERING INFORMATION



Product manufactured according to UNI EN ISO 9001:2000,
supplied with CHECKING and CONFORMITY
declaration with CE mark and with TWO (2) YEARS
WARRANTY starting from delivery date.

(2) For further information see ELECTRONIC data sheet
(3) For further information see CONNECTION data sheet