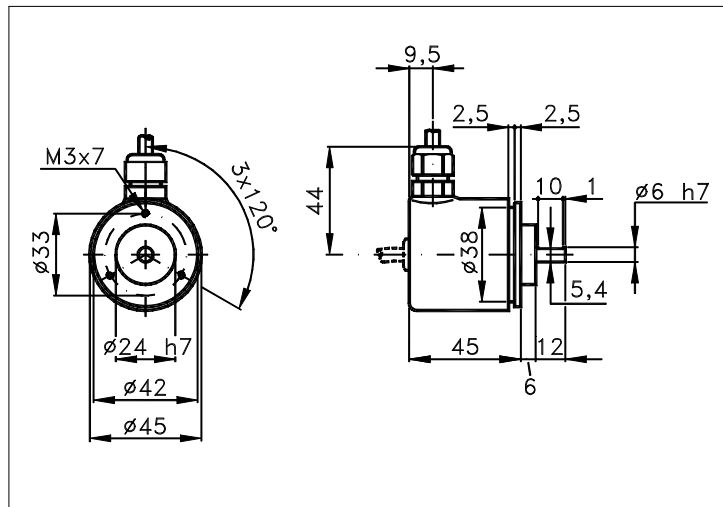


Measures without tolerance according to UNI ISO 2768-mk



TECHNICAL FEATURES AND POSSIBLE CONFIGURATIONS

- Output codes.....: Gray, Excess, Custom
- Max pulses/rev.....: 256 (8 bits)
- Power supply Vcc.....: 5±5%, 15±5%, 8÷24, 18÷28, 10÷30
- Max consumption.....: 200÷400 mA accord. to bits (*)
- Light source.....: LED with >= 100000 h life
- Optical sensors.....: Phototransistors
- Max frequency.....: 50 kHz (*)
- Operating temperature.: 0 ÷ +70 °C (*)
- Storage temperature...: -30 ÷ +85 °C (*)
- Burn-in @ +75 °C.....: 72 h (*)
- Up/down commutation...: No
- Mechanical zero search: No
- Output stages.....: (-) NPN open coll.10mA(std)
(KP) NPN open emitt.70mA+ PTC
- Pre output interface...: (-) Parallel (standard)
- Electronic options.....: (for parallel interf.)
- Connections Radial (R): CV
Axial (-) (*)
- For the description of connections see 'ORDERING CODE' on page 2.
- Base.....: Anodized aluminium (*)
- Cover.....: Anodized aluminium (*)
- Weight.....: 220 g
- Shaft.....: Stainless steel (*)
- Max.rad/axial load.....: 2 Kg
- IP output side.....: see 'CONNECTIONS' on page 2
- IP shaft side.....: std.64 | sealed 66 | low torq.53
- Contin. max RPM...(**): 6000 | 3000 | 8000
- Starting torque.. gcm.: 25 | 60 | 8
- Impact resistance.....: 50 G (11 ms)
- Vibration resistance...: 12 G (10 ÷ 2000 Hz)
- Ball bearings life.....: 1,5x10⁹ revolutions
(@ 1000 rev/m with load of 1/4 maximum allowed)
- (*) Custom options
- (**) Intermittent max RPM + 30% of continuous max RPM

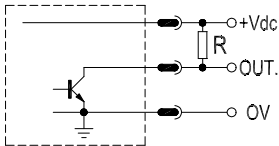
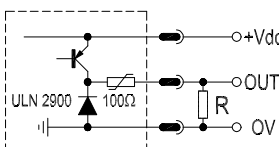
POSSIBLE OPTIONS

CODE	DESCRIPTION	CODE	DESCRIPTION	CODE	DESCRIPTION
A	High temperature	X	Custom options	G	Tropicalization
L	Low temperature	H	Different shaft ø	Z	Sealed bal bearing
Y	Unbreakable disk				



ELCIS s.r.l. Via Rosa Luxembourg 12/14 10093 COLLEGNO (TO) ITALY
Phone: +39 011 715577/78 r.a.
MAIL: ELCIS s.r.l. P.O.Box 90 10093 COLLEGNO (TO) ITALY

* <http://www.elcis.com>
* e-mail: info@elcis.com
* Fax: +39 011 712613


ELECTRONIC OUTPUT	INTERFACE	PARALLEL OPTIONS
» (-) NPN open coll.10mA(std) 	» (-) Parallel (standard) The angular value is present on the output connector in a 'parallel' form. The number of conductors is proportional to the resolution and the type of selected code. Any electronic output stage can be applied.	»
» (KP) NPN open emitt.70mA+ PTC 	»	»

ORDERING CODE

Possible shaft Ø	(G) Gray () (E) Excess (X) Upon request ()	(-) Parallel (standard)	(CV) 1 m long cable () () () () () () () ()	IP65				
(n) Ø n upon req (4) Ø 4 (5) Ø 5 (8) Ø 8 () ()		(-) NPN open coll.10mA(std) (KP) NPN open emitt.70mA+ PTC						
		Only for parallel interface						
			CW CCW	() (AR)				
MODEL	CODE	RESOLUTION	POWER SUPPLY	OUTPUT ELECTR.	INTERFACE	CONNECT.	OUTPUT	ROTAT.
A 342	G	256	5	-	- -	CV	R	AR
OPTIONS	[*]				OPTIONS parallel interface	Axial Radial	(-) (R)	
(A) High temperature (L) Low temperature (Y) Unbreakable disk (X) Custom options (H) Different shaft Ø () (G) Tropicalization (Z) Sealed bal bearing ()	Cod. G, , : 8,16,32,64,128,256 Cod. G, , : Cod. E, , : Cod. E, , : 180 Cod. E, , :	(5) 5 V ±5% (1828)18 ÷ 28 V (15) 15 V ±5% (1030)10 ÷ 30 V (824)8 ÷ 24 V						

Product manufactured according to ISO EN 9001, supplied with CHECKING and CONFORMITY declaration with CE mark and with TWO (2) YEARS WARRANTY starting from delivery date.

[*] Other resolutions on customer's requirement

	ELCIS s.r.l. Via Rosa Luxembourg 12/14 10093 COLLEGNO (TO) ITALY Telefono: +39 011 715577/78 r.a. Corrispondenza: ELCIS s.r.l. P.O.Box 90 10093 COLLEGNO (TO) ITALY	* http://www.elcis.com * e-mail: info@elcis.com * Fax: +39 011 712613
--	---	--

COPYRIGHT by ELCIS - Collegno (TO)