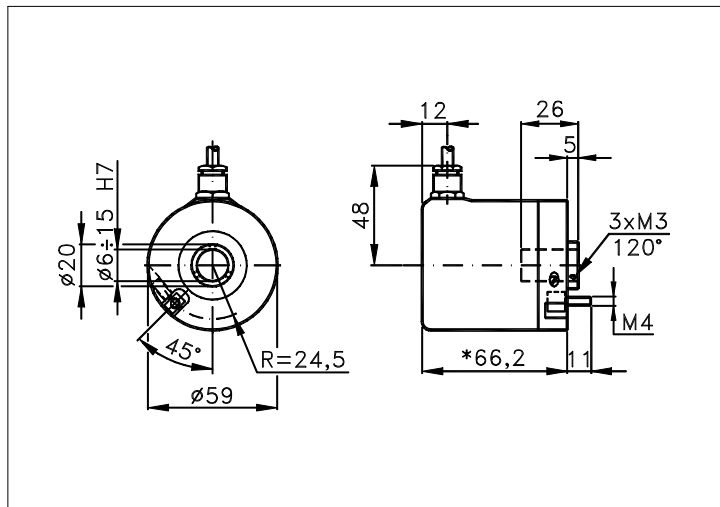


Measures without tolerance according to UNI ISO 2768-mk



\* 107 for code different from Gray code.

**TECHNICAL FEATURES AND POSSIBLE CONFIGURATIONS**

- Output codes.....: Gray, Binary, Excess, BCD, Custom
- Max pulses/rev.....: 8192 (13 bits)
- Power supply Vcc.....: 5±5%, 15±5%, 8÷24, 18÷28, 10÷30
- Max consumption.....: 200÷400 mA accord. to bits (\*)
- Light source.....: LED with >= 100000 h life
- Optical sensors.....: Phototransistors
- Max frequency.....: 50 kHz (\*)
- Operating temperature.: 0 ÷ +70 °C (\*)
- Storage temperature...: -30 ÷ +85 °C (\*)
- Burn-in @ +75 °C.....: 72 h (\*)
- Up/down commutation...: OK
- Mechanical zero search: No
- Output stages.....: (-) NPN open coll.10mA(std)  
(KK) NPN open coll.70mA + PTC  
(KP) NPN open emitt.70mA+ PTC  
(B) Push-p. 70mA+PTC 1÷12bit(1)
- Pre output interface...: (-) Parallel (standard)  
(S) Serial SSI (1)  
(A) Analogic 'current' (2)  
(V) Analogic 'voltage' (2)
- Electronic options....: (F) Led zero  
(for parallel interf.) (L) Latch (3)  
(P) Parity
- Connections Radial (R): CV (4)  
Axial (-) (\*)
- For the description of connections see 'ORDERING CODE' on page 2.
- Base.....: Anodized aluminium (\*)
- Cover.....: Anodized aluminium (\*)
- Weight.....: 300 g
- Shaft.....: Hollow stainless steel (\*)
- Max.rad/axial load....: 4 Kg
- IP output side.....: see 'CONNECTIONS' on page 2
- IP shaft side.....: std.64 | sealed 66 | low torq.53
- Contin. max RPM...(\*\*): 6000 | 3000 | 8000
- Starting torque.. gcm.: 60 | 90 | 25
- Impact resistance.....: 50 G (11 ms)
- Vibration resistance...: 12 G (10 ÷ 2000 Hz)
- Ball bearings life.....: 1,5x10<sup>9</sup> revolutions  
(@ 1000 rev/m with load of 1/4 maximum allowed)
- (\*) Custom options
- (\*\*) Intermittent max RPM + 30% of continuous max RPM  
(1) Only for Gray and Excess codes  
(2) Only for power supply 15V or 18÷28V and resol. 102  
(3) Standard for Binary and BCD codes  
(4) Cv (cable): up to 10 bits (1000 pulses) code BCD

**POSSIBLE OPTIONS**

CODE	DESCRIPTION	CODE	DESCRIPTION	CODE	DESCRIPTION
A	High temperature	X	Custom options	G	Tropicalization
L	Low temperature			Z	Sealed ball bearing
Y	Unbreakable disk	P	Compressed air attack	B	Low torque ball bear.



ELCIS s.r.l. Via Rosa Luxembourg 12/14 10093 COLLEGNO (TO) ITALY  
Phone: +39 011 715577/78 r.a.  
MAIL: ELCIS s.r.l. P.O.Box 90 10093 COLLEGNO (TO) ITALY

\* <http://www.elcis.com>  
\* e-mail: [info@elcis.com](mailto:info@elcis.com)  
\* Fax: +39 011 712613

